



COMPACT. POWERFUL.™
*Lightweight, Affordable
Rotary Screw Air Power*



RAPT *///* **AIR-G30**
GAS DRIVE AIR COMPRESSOR



RAPT AIR-G30

GAS DRIVE AIR COMPRESSOR

THE RAPT AIR-G30 IS THE MOST AFFORDABLE GAS DRIVE ROTARY SCREW COMPRESSOR ON THE MARKET.

Rotary screw compressors have already proved their undisputed technical and performance superiority in almost all aspects over traditional reciprocating piston compressors. However, the cost of rotary screw compressors has remained the main challenge for most businesses to benefit from this technology. The RAPT AIR-G30 is a high performance, gas engine driven, rotary screw compressor that has a price point comparable to reciprocating gas drive competitors, but with reliability, durability and performance that is synonymous with VMAC rotary screw compressors.

CONTINUOUS DUTY AIR POWER

The RAPT AIR-G30 provides you with continuous air flow of 30CFM to get most day-to-day jobs done – only faster. The compressor is rated at 100% duty-cycle which means it never stops producing the air that is required. Now you can seamlessly run your air tools without any interruptions and no need to wait for your compressor to fill a receiver tank. Focus on your work and leave everything else to the RAPT AIR-G30 gas drive air compressor.



UN-MATCHED SIZE AND WEIGHT

The compressor is built from high quality light-weight aluminum components that makes it the lightest gas drive compressor available. The RAPT AIR-G30 is half the weight of competitive reciprocating models on the market. Also, its efficient design results in a small footprint that provides more room for your tools and other necessary equipment, and allows the compressor to easily fit on the side pack of a service body.



BACKED BY A LIFE TIME WARRANTY

VMAC strives to provide the best warranty service in the industry to give you the peace of mind you need. Specifically, the RAPT AIR-G30 is supported by VMAC's Lifetime Warranty* on the air end and Subaru's 5-Year warranty on the engine.*

*For more information about VMAC's or Subaru's Warranty Policy, please visit www.vmacair.com/warranty



CALL TODAY TO BOOK A DEMO 1-877-912-6605

DID YOU KNOW?

By reducing the weight on your service truck by 200lbs, you may be able to avoid the watchful eye of DOT regulations and save as much as 4% on your fuel costs.

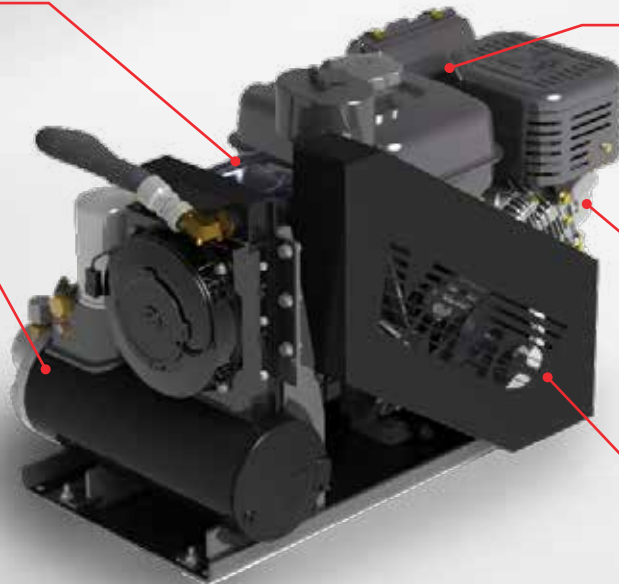
SYSTEM COMPONENTS

AIR COMPRESSOR

VMAC rotary screw, 100% duty cycle, 30CFM@100PSI, VMAC Lifetime Warranty*

WHASP TANK

Patent pending integrated oil/air separator and air/oil cooler



THROTTLE CONTROL

Controlled by system air pressure, idles down/up automatically with air demand

ENGINE SUBARU

Subaru EX40 14HP gasoline OHC engine, Subaru 5-Year Warranty*

DRIVE SYSTEM

Gearless, clutchless, auto-tensioned serpentine belt, aluminum belt-guard

Powered by

OPTIONAL EQUIPMENT

• LOW PROFILE AIR RECEIVER TANKS

A500037

Dual 6-gallon air receiver tanks with G30 mounting frame that includes gauge, fittings, hose, and valves (Adds 10" to height and 90lbs (41kg) to weight)



• REMOTE CONTROL PANEL

A500038

Remote panel with 10 foot extension for key switch, hour meter, and choke



• NOISE REDUCTION EXHAUST RESONATOR

A500035

Engineered muffler extension that significantly reduces engine noise



SEE THE
RAPTAIR-G30
ONLINE

vmacair.com/g30



COMPACT. POWERFUL.™

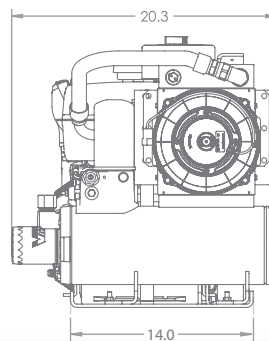
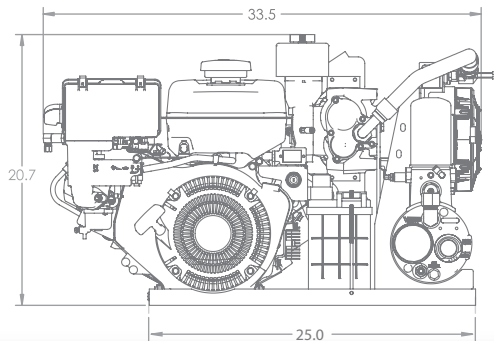
RAPT *AIR-G30*

GAS DRIVE AIR COMPRESSOR

SPECIFICATIONS

Compressor Type	Belt Driven, 100% duty cycle, VMAC oil-injected rotary screw
Rated Air Capacity	30CFM @ 100PSI (150PSI max)
Engine	Subaru EX40 14HP gasoline OHC engine, electric start, EPA and CARB-compliant, Subaru approved application
System Weight (wet)	Approx. 205lbs (93kg)
Dimensions	20.7" (h) x 20.3" (w) x 33.5" (l)
Mounting Plate	14.0" (w) x 25.0" (l)
Decibels (dB) @ 20 feet	86dB
Fuel Tank Capacity	1.8 gallons
Safety Features	Compressor thermal protection circuit Automatic rapid blow-down valve on tank 200PSI pressure relief valve

DIMENSIONS



ABOUT VMAC

Established in 1986, VMAC began by designing jet engines for the Military and has now grown into a global leader in the manufacturing of mobile rotary screw air compressors with a network of 400 dealers.

YOUR VMAC AUTHORIZED DEALER



1-877-912-6605 | www.vmacair.com

PH 250-740-3200

FX 250-740-3201

1333 Kipp Road Nanaimo, BC, V9X 1R3 CANADA