



# TECHNICAL SHEET



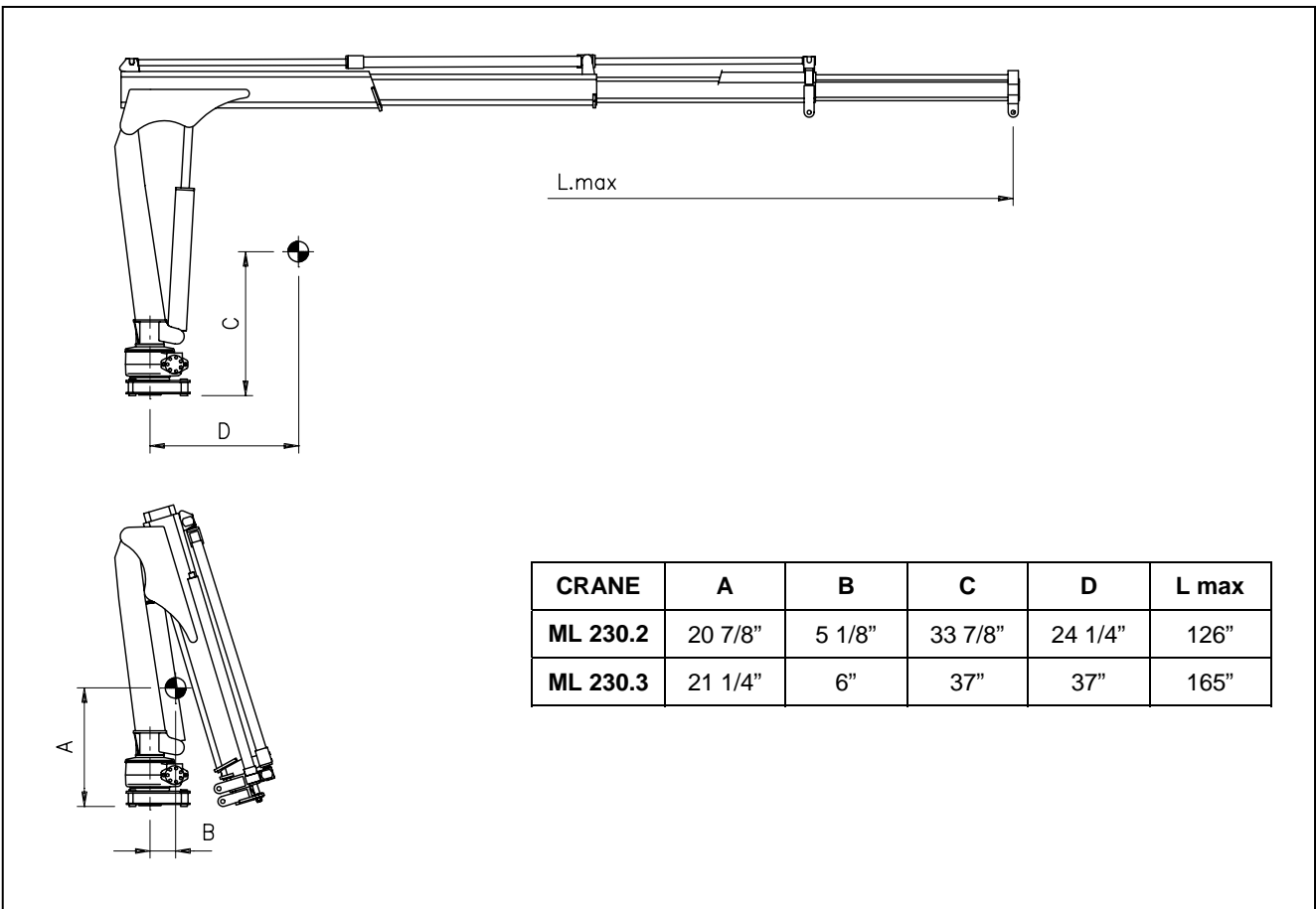
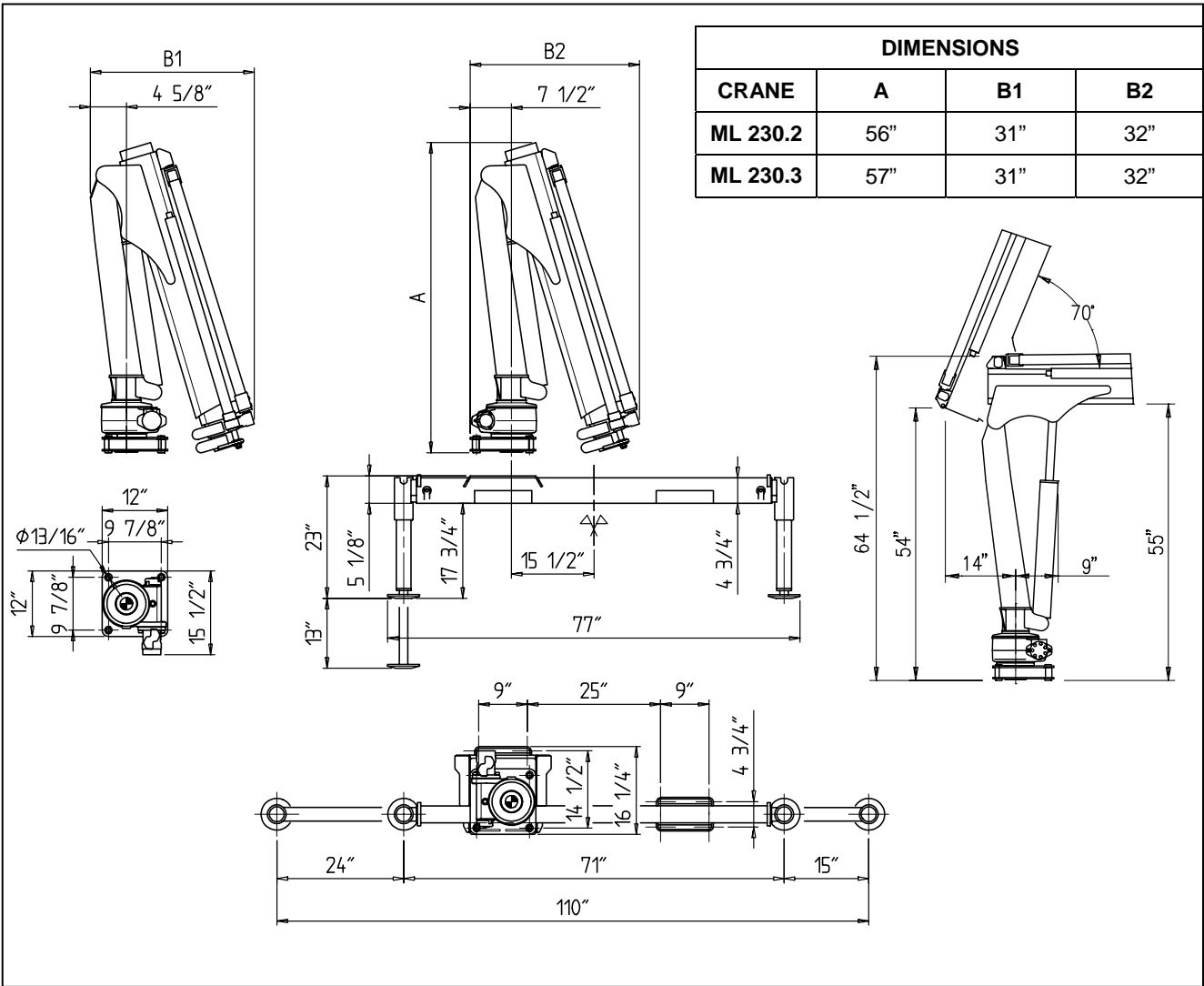
**II 230**

Cod.: MP.0.167 US  
Rev.: 0



**Next Hydraulics®**  
RAISE YOUR EXPECTATIONS





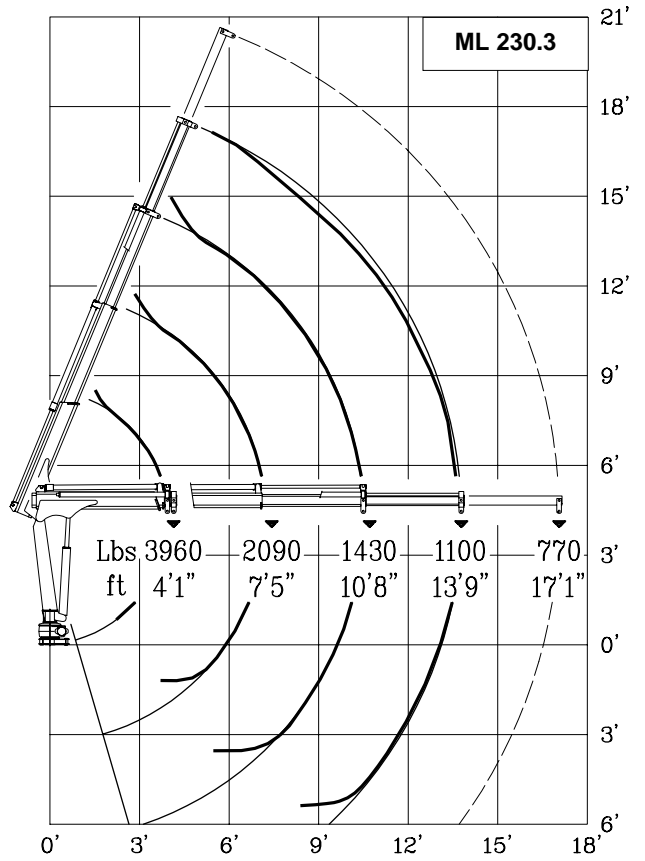
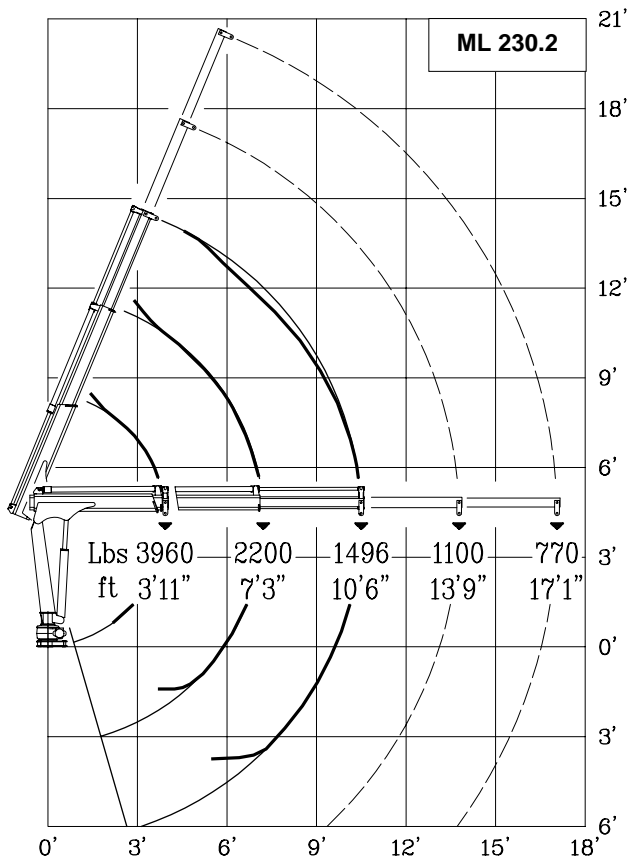
TECHNICAL DATA	U.M.	VERSION	
		ML 230.2	ML 230.3
CRANE RATING	ft lbs	16300	
STANDARD EXTENSIONS Nr (HYDRAULICS)	N°	2H	3H
STANDARD OUTREACH	ft	10' 6"	13' 9"
SLEWING ANGLE	°	360°	
MAXIMUM ANGLE SLOPE	°	5°	
SLEWING TORQUE	kNm	2350	
MAX. LIFTING HEIGHT FROM CRANE BASE	ft	14' 1"	17'
SUGGESTED OIL FLOW	gpm	2.1÷2.6	
MAX. WORKING PRESSURE	p.s.i.	2900	
BASIC CRANE WEIGHT	lbs	VERS. H 495	560
		VERS. E 540	605
BASE WEIGHT WITH EXTENDABLE STABILIZERS	lbs	225÷240	
BEAM WEIGHT WITH 2 EXTENDABLE STABILIZERS	lbs	150÷180	
MOTOR ABSORPTION FOR ELECTROHYDR. CRANE 12V	A min/max	80/230	80/230
MOTOR ABSORPTION FOR ELECTROHYDR. CRANE 24V	A min/max	50/120	50/120

WINCH SPECIFICATIONS	U.M.	
MAX. WINCH SINGLE LINE CAPACITY (3 <sup>rd</sup> LAYER)	lbs	1100
ROPE DIAMETER	inches	9/32"
ROPE LENGTH	ft	82
WINCH KIT WEIGHT	kg	155

VERSION	DESCRIPTION
"E" 12V	ELECTROHYDRAULIC
"E" 24V	ELECTROHYDRAULIC
"H"	HYDRAULIC

OPERATING TIMES								
VERS.	SLEWING (rpm)	LIFTING (sec)		LOWERING (sec)	EXTENSION OUT (sec)		EXTENSION IN (sec)	
		p min	p max		230.2	230.3	230.2	230.3
"E" 12/24V	2.0	20	35	20	19	29	10	15
"H" (PTO)	2.3	20		20	19	29	10	15

p min: min. working pressure  
p max: max. working pressure



Lifting class **HC1 – HD4/B2**



by Next Hydraulics Via Mediterraneo n°6, 42022 Boretto (R.E.) Italy

Tel.: +39.0522.963008, Fax.: +39.0522.963039 <http://www.maxiliftcrane.com> E-mail: [info@maxiliftcrane.com](mailto:info@maxiliftcrane.com)