

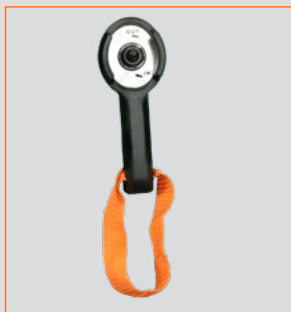


2060 SPECIFICATIONS

- 2,000 lb lift capacity
- 5 ft of manual reach
- 6,000 ft-lb crane rating
- 6 ft lifting height
- 3-4-5 ft manual boom extension
- 0-21-45 boom elevation
- 23.5 FPM winch speed
- 280 lbs operating weight
- 12" x 12" mounting space required
- 57" storage height
- 47" storage length, 20" with boom folded
- 8,500 lb min chassis GVW required

2085 SPECIFICATIONS

- 2,000 lb lift capacity
- 10.5 ft of manual reach
- 8,500 ft-lb crane rating
- 7 ft lifting height
- 6-7.5-9-10.5 ft manual boom extension
- 0-21-45 boom elevation
- 23.5 FPM winch speed
- 33 ft remote control
- 350 lbs operating weight
- 12" x 12" mounting space required
- 33" storage height
- 81" storage length
- 8,500 lb min chassis GVW required



Standard detachable 12 ft corded remote.

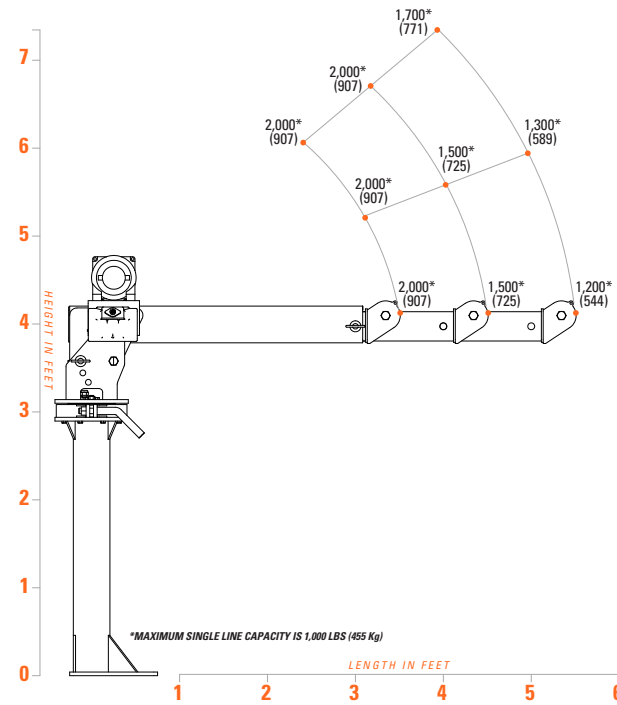


Slew bearing for easy rotation and manual band brake with continuous rotation.



The 2060 can be folded down to save storage space in the truck bed.

2060 LOAD CAPACITIES



2085 LOAD CAPACITIES

